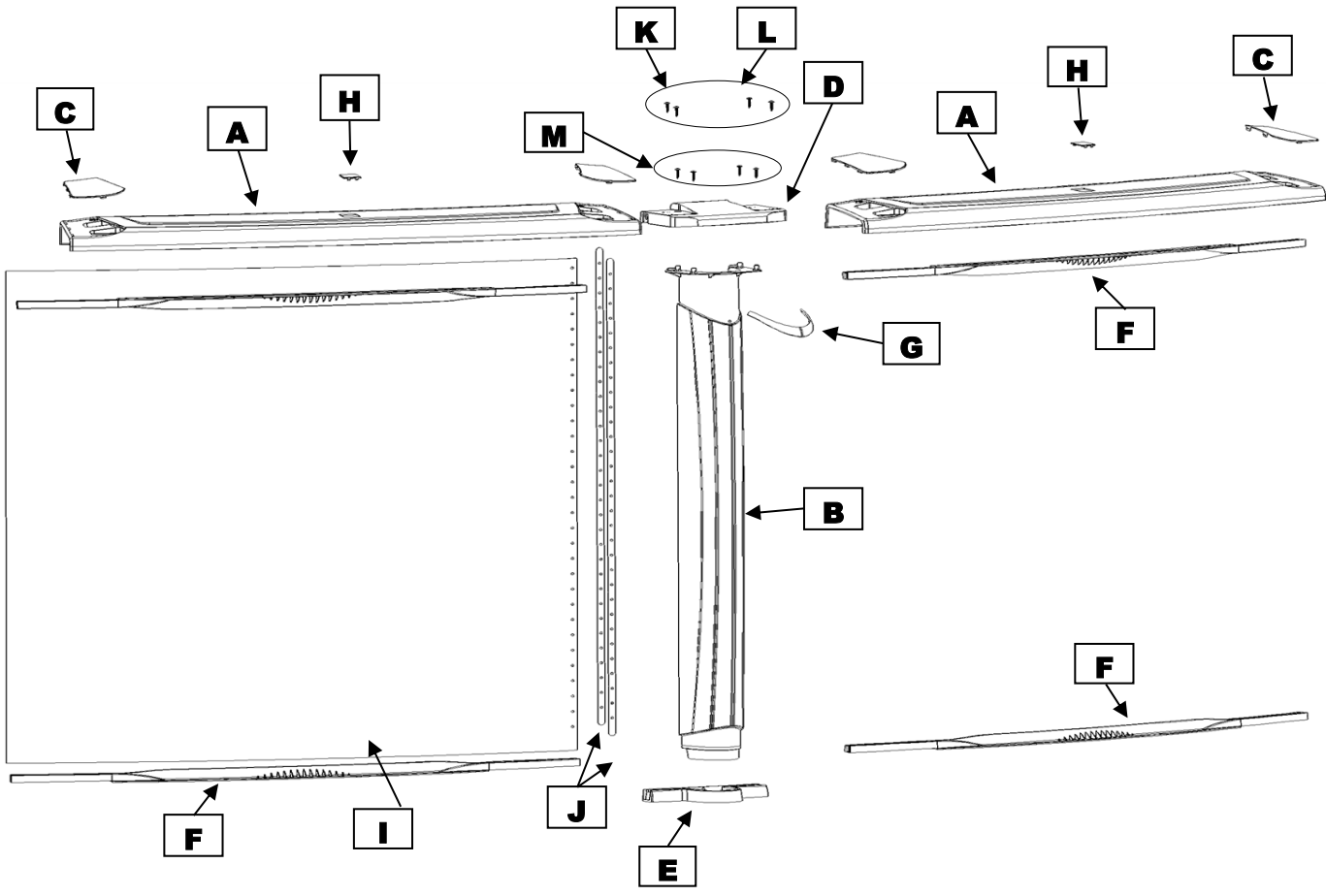


Panache RRR
PPNC-54RRRRRRRI20
Round

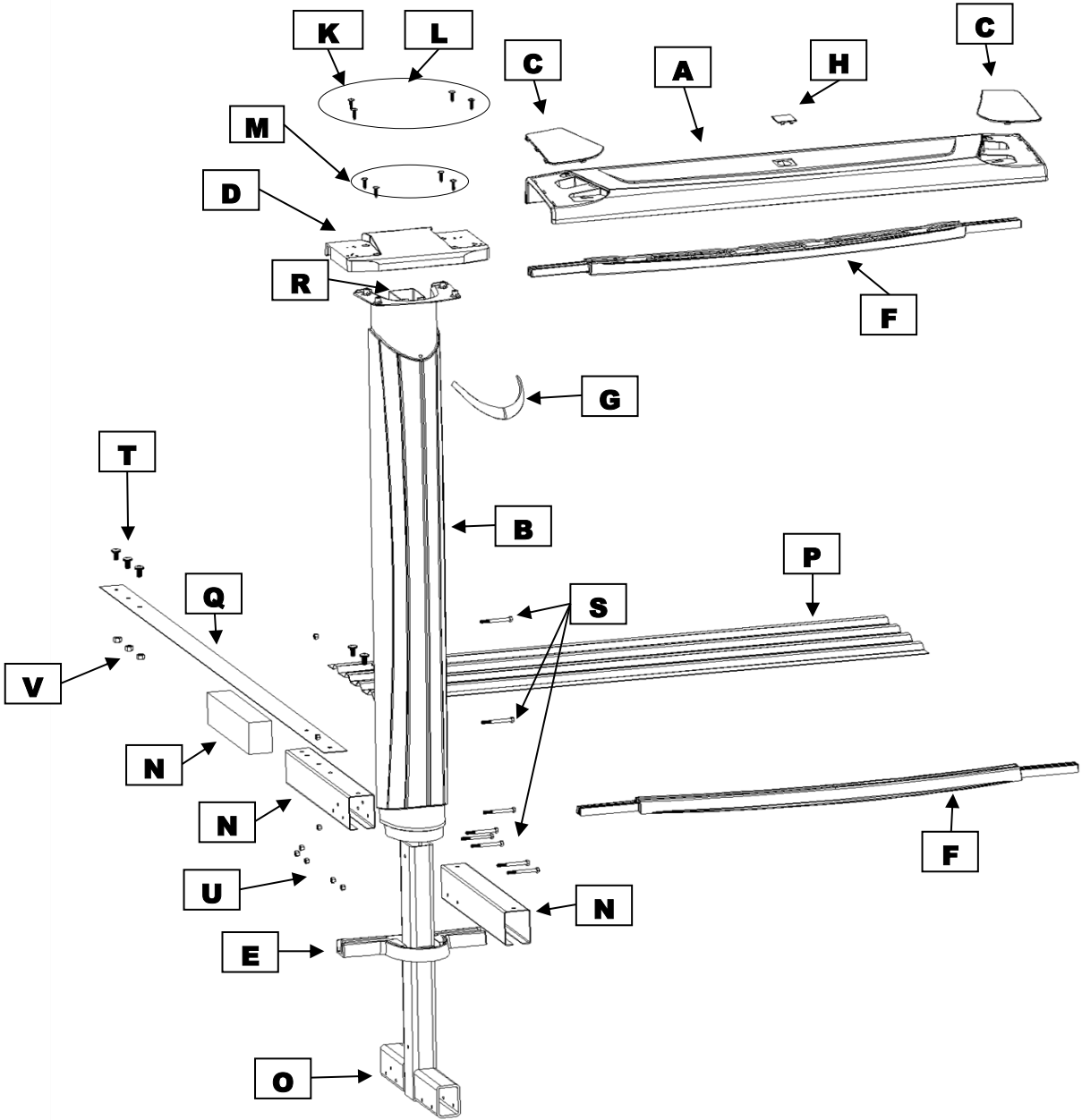


				Quantity required for installation (by pool size)								
Index #	Description	Part #	Length	12	15	18	21	24	27	30	33	PRICING
A	Top ledge	CH761-001-R	55,223"	8	10	12	14	16	18	20	22	\$130.66
B	Upright	CB861-002-54	54"	8	10	12	14	16	18	20	22	\$151.55
C	Top ledge cover (Left)	CB761-006-G	55.312	8	10	12	14	16	18	20	22	\$1.94
C	Top ledge cover (Right)	CB761-006-D	55,312"	8	10	12	14	16	18	20	22	\$1.94
D	Top plate	CB761-20851		8	10	12	14	16	18	20	22	\$17.46
E	Bottom plate	CH761-20852		8	10	12	14	16	18	20	22	\$9.64
F	Stabilizer/Bottom Rail	1525515	55,250"	16	20							\$20.57
F	Stabilizer/Bottom Rail	1525524	55,250"			24	28	32	36			\$20.57
F	Stabilizer/Bottom Rail	1525530	55,250"							40	44	\$20.57
G	Upright crown	SV761-007		8	10	12	14	16	18	20	22	\$10.79
H	Logo	SVLOGOM761-2		8	10	12	14	16	18	20	22	\$5.99
I	Wall			1	1	1	1	1	1	1	1	
J	Steel bars	11825	54,000"	2	2	2	2	2	2	2	2	\$9.36
K	Flat washer 10 X 3/4"	FW10X34S		33	42	50	58	67	75	84	92	\$0.32
L	Screw 12X1 1/4"	VHL12X114S		33	42	50	58	67	75	84	92	\$0.79
M	Screw 12X3/4"	VHL12X34S		33	42	50	58	67	75	84	92	\$0.63
*	Hardware bag/pool	SACRE0012		1								\$57.92
*	Hardware bag/pool	SACRE0015			1							\$73.62
*	Hardware bag/pool	SACRE0018				1						\$87.42
*	Hardware bag/pool	SACRE0021					1					\$101.38
*	Hardware bag/pool	SACRE0024						1				\$117.09
*	Hardware bag/pool	SACRE0027							1			\$131.06
*	Hardware bag/pool	SACRE0030								1		\$146.76
*	Hardware bag/pool	SACRE0033									1	\$160.72
**	Hardware bag/wall	1050000054		1	1	1	1	1	1	1	1	\$50.30
***	Bag for ledge cover/crown	SACSVCB-8		1								\$145.65
***	Bag for ledge cover/crown	SACSVCB-10			1							\$181.83
***	Bag for ledge cover/crown	SACSVCB-12				1						\$218.00
***	Bag for ledge cover/crown	SACSVCB-14					1					\$254.18
***	Bag for ledge cover/crown	SACSVCB-16						1				\$290.35
***	Bag for ledge cover/crown	SACSVCB-18							1			\$326.52
***	Bag for ledge cover/crown	SACSVCB-20								1		\$362.70
***	Bag for ledge cover/crown	SACSVCB-22									1	\$398.87
	Thrus phill 18-8 bolts 18-8 1/4-0x3/4	99-0023		31	31	31	31	31	31	31	31	\$0.63
	Flange nuts S/S 1/4-20 Serrated	2FGS422		31	31	31	31	31	31	31	31	\$0.48
	Instruction DVD	SACWBI36876		1	1	1	1	1	1	1	1	\$10.31

* In the hardware bag/pool you will find parts: #FW10x34S - #VHL12114S - #VHL12x34S

** In the hardware bag/wall you will find parts: #99-0023 - #2FGS422

Panache RRR
PPNC-YE54RRRRRI20
Yard Extender
Oval



Product Description: Panache Oval				Revised Sept 2017					
Product Code: PPNC-YE54RRRRRI20									
				Quantity required for installation (by pool size)					
Index #	Description	Part #	Length	1219	1223	1526	1530	1833	PRICING
A	Top ledge (round sections)	CH761-001-R	55,223"	8	8	10	10	12	\$130.66
A	Top ledge (straight sections)	CH761-001-O	42,142"	4	6	6	8	8	\$124.87
B	Upright	CB861-002-54	54,000"	12	14	16	18	20	\$151.55
C	Ledge cover (left)	CB761-006-G	55,312"	12	14	16	18	20	\$1.94
C	Ledge cover (right)	CB761-006-D	55,312"	12	14	16	18	20	\$1.94
D	Top plate	CB761-20851		12	14	16	18	20	\$17.46
E	Bottom plate	CH761-20852		12	14	16	18	20	\$9.64
F	Stabilizer/Bottom Rail (straight sections)	1514215	42,000"	8	12	12	16	16	\$13.28
F	Stabilizer/Bottom rail(round section)	1525515	55,250"	12	12	16	16	20	\$20.57
F	Bottom rail (transition)	1525315	54,125"	4	4	4	4	4	\$15.23
G	Upright crown	SV761-007		12	14	16	18	20	\$10.79
H	Logo	SVLOGOM761-2		12	14	16	18	20	\$5.99
I	Wall			1	1	1	1	1	\$0.00
J	Steel bars	11825	54,000"	2	2	2	2	2	\$9.36
K	Flat washer 10 X 3/4"	FW10X34S		50	58	67	75	84	\$0.32
L	Screw 12X1 1/4"	VHL12X114S		50	58	67	75	84	\$0.79
M	Screw 12X3/4"	VHL12X34S		50	58	67	75	84	\$0.63
N	Horizontal sleeve with pen	20810	17,000"	6	8	8	10	10	\$57.96
N	Horizontal sleeve without pen	20802	17,000"	6	8	8	10	10	\$44.68
N	Extruded polystyrene piece	1000100		6	8	8	10	10	\$0.00
O	T unit	20801		6	8	8	10	10	\$287.65
P	Brace plate	20809	47,000"	4	6	6	8	8	\$127.12
Q	Steel strap 26"	20526	26,000"	3	4			10	\$8.57
Q	Steel strap 60"	20560	59,760"	6	8	12	15	15	\$17.18
R	Vertical sleeve	20509	52,875"	6	8	8	10	10	\$102.78
S	Bolt 1/4"-20 X 2 1/2"	B14X20X212		49	66	66	82	80	\$2.22
T	Bolt 3/8"-16 X 3/4"	B38X16X34		37	50	50	62	90	\$2.22
U	Nut 1/4"-20	N14X20		49	66	66	82	80	\$0.10
V	Nut 3/8" X 16	N38X16S		19	26	26	32	60	\$0.95
*	Hardware bag/pool	SACRE1219		1					\$87.58
*	Hardware bag/pool	SACRE1223			1				\$101.38
*	Hardware bag/pool	SACRE1526				1			\$117.09
*	Hardware bag/pool	SACRE1530					1		\$131.06
*	Hardware bag/pool	SACRE1833						1	\$146.76
**	Hardware bag/wall	1050000054		1	1	1	1	1	\$50.30
***	Bag for ledge cover/crown	SACSVCB-12		1					\$218.00
***	Bag for ledge cover/crown	SACSVCB-14			1				\$254.18
***	Bag for ledge cover/crown	SACSVCB-16				1			\$290.35
***	Bag for ledge cover/crown	SACSVCB-18					1		\$326.53
***	Bag for ledge cover/crown	SACSVCB-20						1	\$362.70
****	Hardware bag/braceless	SACSJF-4			2	2	1	1	\$137.71
****	Hardware bag/pool	SACSJF-6		1			1	1	\$196.74
****	Hardware bag/pool	SACIM1833						1	\$443.22

Product Description:	Panache Oval	Revised Sept 2017
Product Code:	PPNC-YE54RRRRRRRI20	

Index #	Description	Part #	Length	Quantity required for installation (by pool size)					PRICING
				1219	1223	1526	1530	1833	
	Thru bolt 18-8 bolts 18-8 1/4-0x3/4	99-0023		31	31	31	31	31	\$0.63
	Flange nuts S/S 1/4-20 Serrated	2FGS422		31	31	31	31	31	\$0.48
	Instruction DVD	SACWBI36876		1	1	1	1	1	\$10.31

* In the hardware bag/pool you will find parts: #FW10x34S - #VHL12114S - #VHL12x34S

** In the hardware bag/wall you will find parts: #99-0023 - #2FGS422

*** In the hardware bag/pool you will find parts : #EB761-007 -#EBLOGOM761-2 -#MH761-006-D -#MH761-006-G

**** In the hardware bag/pool and braceless you will find parts: #B14x20x212 - #B38x16x34 - #N14x20 - #N38x16S