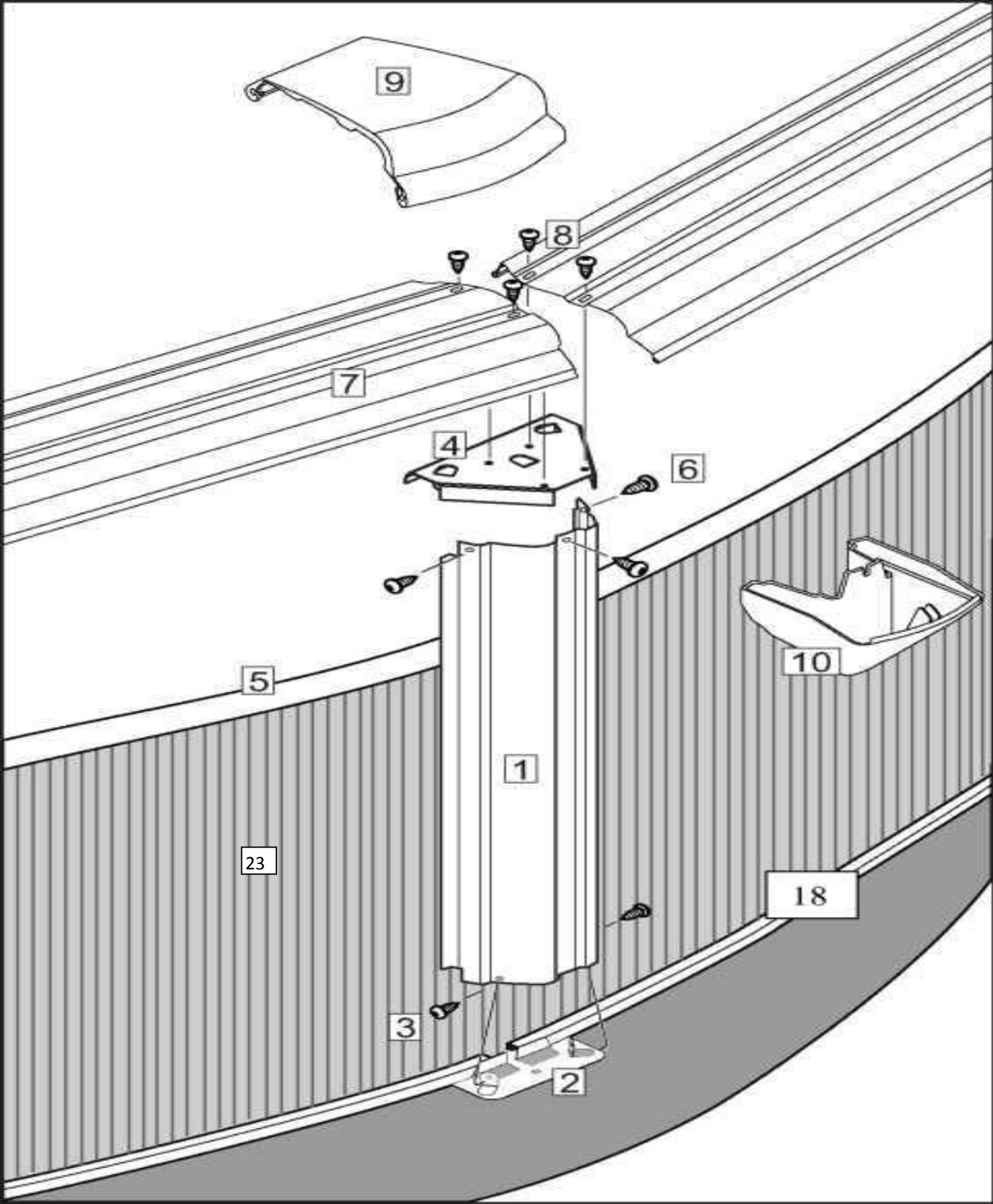
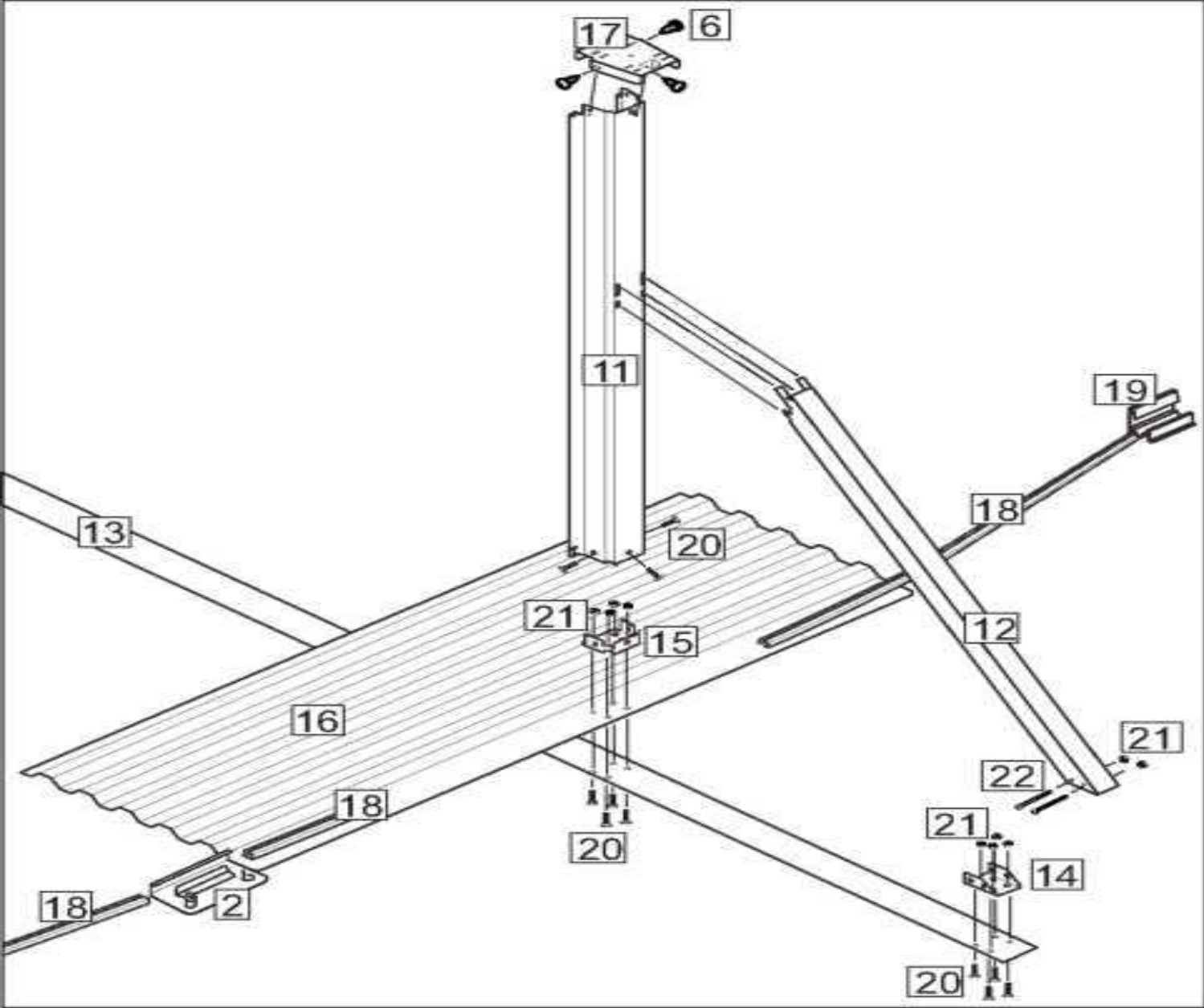


Esprit Sand
PURB-52SSSTSSFC0
Round



Esprit 52 STR
PURB-CH52SSSTSSFC0
Channel Lock II



Product Description:

Esprit Oval

Revised Sept.2016

Product Code:

PURB-CH52SSSTSSFC0

				Quantity required for installation (by pool size)						
INDEX#	DESCRIPTION	PARTS#	LENGTH	1218	1221	1224	1524	1530	1833	PRICING
1	Upright	UR10005	51" 1/2	10	10	10	10	10	12	\$37,27
2	Bottom Plate	1320101		10	10	10	10	10	12	\$1,16
4	Top Plate	1320102		10	10	10	10	10	12	\$1,90
5	Slotted tube	1470096	44"	8	8	8				\$2,80
5	Slotted tube	1470097	55" 1/2				8	8		\$3,53
5	Slotted tube	1470098	55" 1/4	4					6	\$3,51
5	Slotted tube	1470100	55" 1/2		2		4	8	12	\$3,81
5	SlottedTube	1470104	44" 1/8		4	4				\$2,80
5	Slotted tube	1470105	44" 1/8			4	2			\$2,80
	Slotted tube Connector (steel)	1470108	6"	10	10	10	10	10	12	\$0,45
	Slotted tube Connector - side (resin)	1470087		2	4	6	4	6	6	\$0,97
	Round Coping	1382480	47"	13		16	17	20	23	\$4,17
7	Top Ledge Curve	TL10002	45" 15/32	8	8	8				\$30,87
7	Top Ledge Curve	TL10005	56" 27/32				8	8	10	\$31,51
7	Top Ledge Trans	TL10003	47"		4	4				\$31,34
7	Top Ledge Trans	TL10006	58" 1/4	4			4	4	4	\$38,84
7	Top Ledge Str Side	TL10004	47" 1/4			4	2			\$31,52
7	Top Ledge Str Side	TL10007	58" 3/4		2			4	4	\$39,17
9	Ledge cover	LC10004		12	14	16	14	16	18	\$2,61
10	Ledge cover - lower, round end only	LC10005		10	10	10	10	10	12	\$4,43
10	Ledge cover - lower, for buttress only	LC10006		2	4	6	4	6	6	\$4,43
11	Upright	CL10000	51" 1/2	2	4	6	4	6	6	\$109,31
12	Diagonal	CL10001		2	4	6	4	6	6	\$77,76
13	Strap Section	1510132	2-7/8X215.55	1	2	3				\$47,74
13	Strap Section	1510133	2-7/8X251.55				2	3		\$73,00
13	Strap Section	1510134	2-7/8X287.55						3	\$73,00
14	Diagonal Bracket	1320152		2	4	6	4	6	6	\$1,41
15	Oval bottom Plate	1320154		2	4	6	4	6	6	\$2,27
16	Hold Down Plate	1320162		2	4	6	4	6	6	\$105,91
17	SideTop Plate	1320160		2	4	6	4	6	6	\$1,91
18	Bottom Rail	1460048	44" 5/8	8	8	8				\$9,95
18	Bottom Rail	1460049	56"				8	8		\$13,17
18	Bottom Rail	1460050	56"	4					6	\$13,17
18	Bottom Rail	1460052	56" 1/4				4	4	8	\$12,73
18	Bottom Rail	1460138	44" 5/8		4	4				\$10,49
18	Bottom Rail	LA1255624	56" 1/8		2			4	4	\$10,03
18	Bottom Rail	1254424	44" 5/8			4	2			\$6,37
19	Rail Support	1490494			2	4	2	4	4	\$4,02
3/6/8 ***	Hardware Pack (Qty. - 59)	1184299							1	\$11,48
3/6/8 ***	Hardware Pack (Qty. - 77)	1184300		2	2	2	2	2	1	\$15,37
3/6/8 ***	Hardware Pack (Qty. - 29)	1184298							1	\$6,41
	Screw #12-5/8	1184105		154	154	154	154	154	165	\$0,15
	DVD	SACWBI36877		1	1	1	1	1	1	\$9,69
*	Hardware Pack	1184292		1	2	3	2	3	3	\$26,10
6	Self tapping screw 12 1/2'	1183273		20	40	60	40	60	60	\$0,15
21	Flange nut 1/4-20'	1184052		27	54	81	54	81	81	\$0,45
20	Bolt 1/4x20 x 3/4'	1184275		23	46	69	46	69	69	\$0,99
22	Bolt 1/4x20 x 2 1/4'	1184276		5	10	15	10	15	15	\$2,09

Product Description:**Esprit Oval**

Revised Sept.2016

Product Code:**PURB-CH52SSSTSSFC0**

				Quantity required for installation (by pool size)						
INDEX#	DESCRIPTION	PARTS#	LENGTH	1218	1221	1224	1524	1530	1833	PRICING
23	Wall		52"	1	1	1	1	1	1	\$0,00
**	Hardware bag/wall	1050000054		1	1	1	1	1	1	\$47,28
	Thru bolt 18-8 bolts 18-8 1/4-0x3/4	99-0023		31	31	31	31	31	31	\$0,59
	Flange nuts S/S 1/4-20 Serrated	2FGS422		31	31	31	31	31	31	\$0,45
	Wall bar	11823		2	2	2	2	2	2	\$8,80

* In the hardware pack you will find parts: #1183273 - #1184052 - #1184275 - #1184276

** In the hardware bag/wall you will find parts: #99-0023 - #2FGS422

*** In the hardware pack (Qty...) you will find parts: #1184105