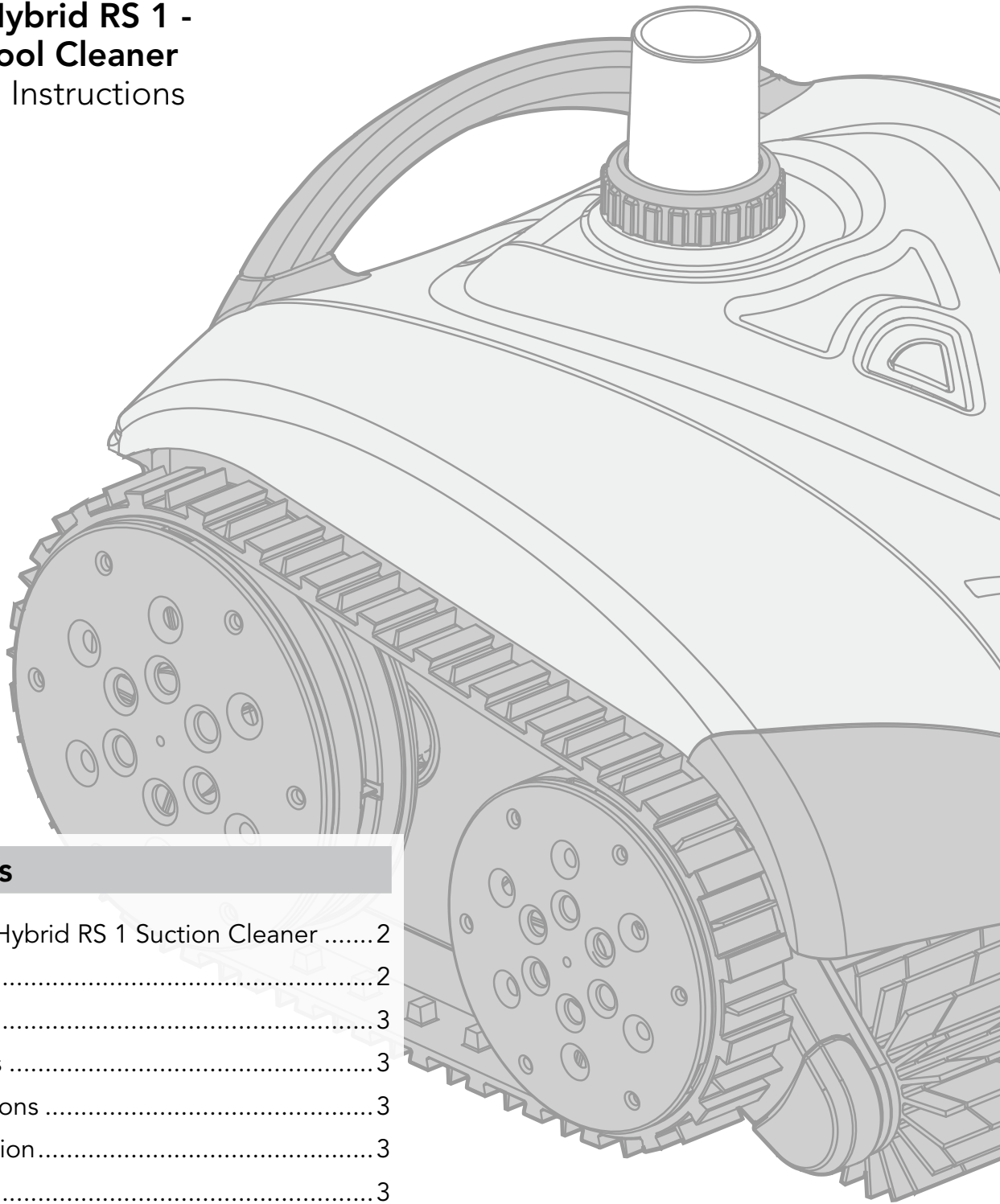


EN

Dolphin Hybrid RS 1 - Suction Pool Cleaner Operating Instructions



I Contents

The Dolphin Hybrid RS 1 Suction Cleaner	2
Parts.....	2
Warnings.....	3
Specifications	3
Water conditions	3
Pool Preparation.....	3
Setup	3
Cleaning Process	6
Clean the Leaf Canister	6
Removal from the Pool and Storage	7
Troubleshooting	7

Dolphin Hybrid RS 1 Suction Pool Cleaner

Operating Instructions

The Dolphin Hybrid RS 1 Suction Cleaner

The Dolphin Hybrid Cleaner is powered by the pool pump. For successful cleaning results, make sure that you connect the cleaner properly to the pool system.

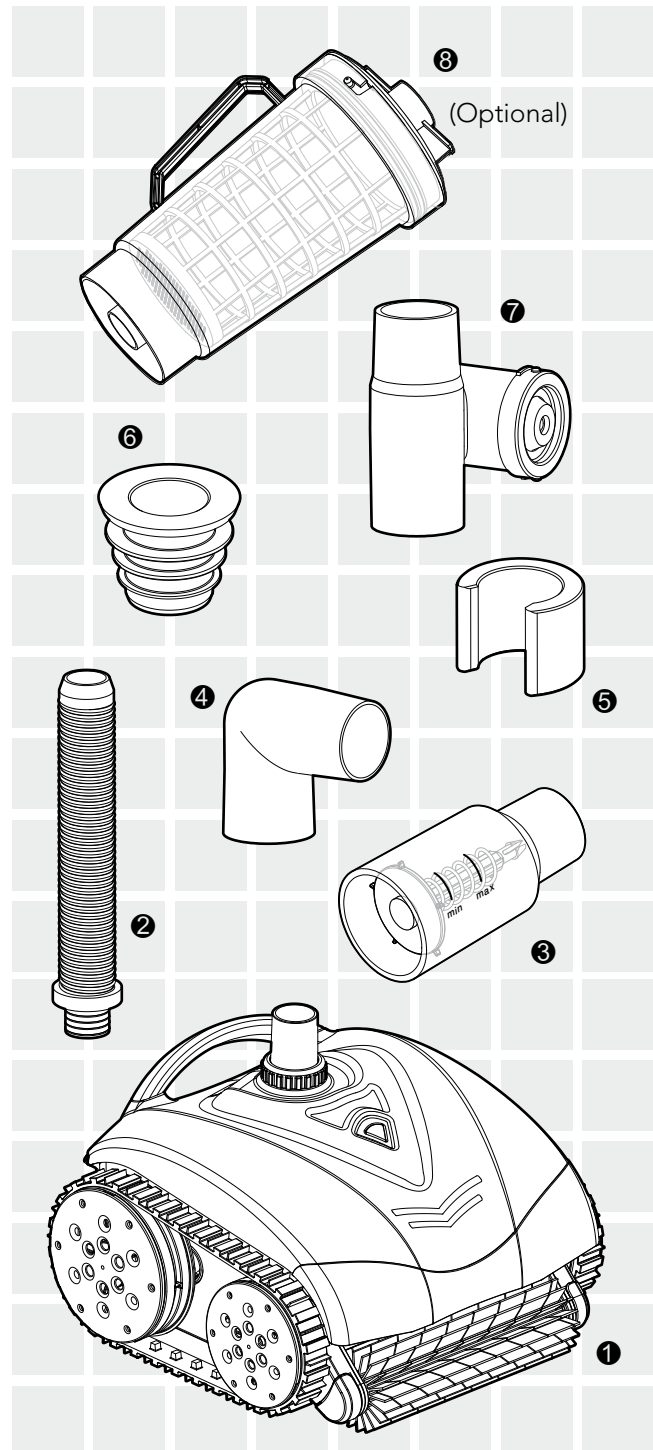
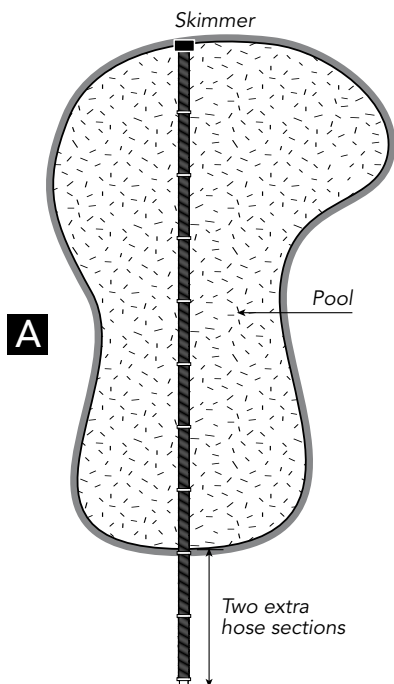
Follow the instructions in this booklet for easy, efficient, and safe operation.

Parts

The Dolphin Hybrid Cleaner kit includes:

- 1 Dolphin Hybrid Cleaner
- 2 Hose Sections (1.17m/3.83ft x 10)
- 3 Flow Indicator
- 4 90° Adapter
- 5 Float
- 6 Skimmer Adapter
- 7 Automatic Safety Valve
- 8 Leaf Canister (optional)

For proper operation, the hose must be long enough to reach from its pool connection to the most distant edge of the pool, plus two extra sections (*Drawing A*). If needed, you can purchase additional hose sections from your supplier. Replacement parts are also available.



Warnings



- Do not enter the pool while the cleaner is working.
- Maytronics is not responsible for any damage to the external pump.

Specifications

- Weight – 4.5 kg / 9.9lb
- Hose length – 10 Hoses of 1.17m / 3.83ft
- Required water flow – 5-8m³

Water conditions

- Chlorine – Max 4ppm
- pH – 7.0-7.8
- NaCl – Max – 5000ppm
- Temperature – 6-34°C / 43-93°F



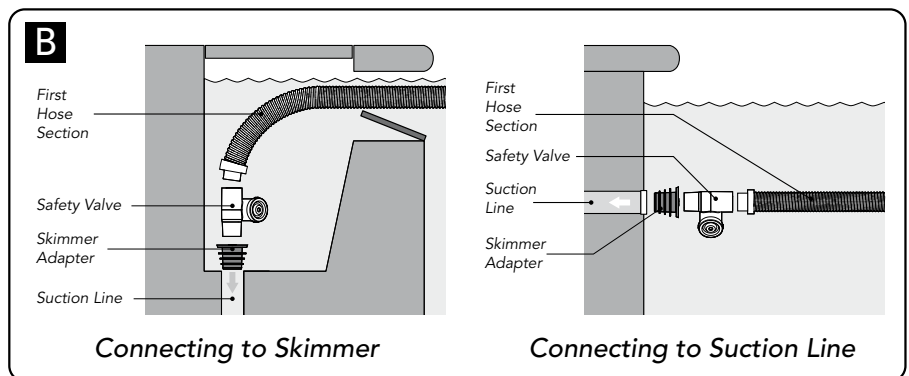
NOTE:

An optional Leaf Canister is also available for purchase from your supplier. The Leaf Canister traps leaves and other large debris, preventing blockage of the pool filter system. For maximum energy, backwash savings and environmentally friendly operation, we recommend using the Leaf Canister.

Pool Preparation

To prepare the pool for cleaning:

- 1 Remove any large objects that might interfere with the cleaner's operation.
- 2 Make sure that the water level reaches the skimmers.
- 3 Backwash the pool filter and make sure that suction pressure is sufficient, as recommended by the pump manufacturer.



Setup

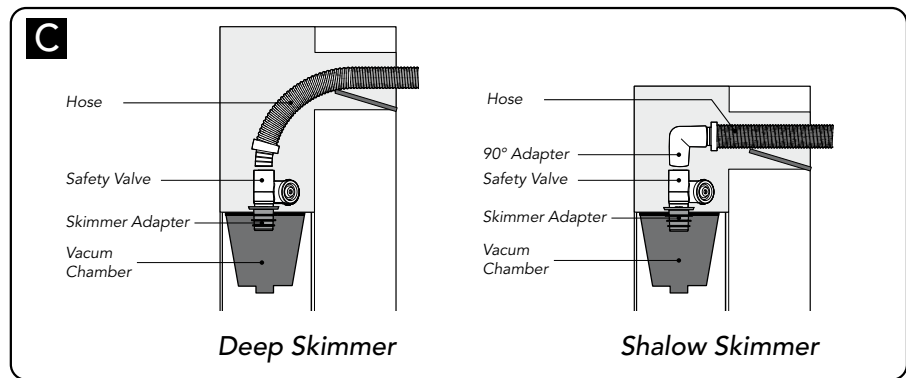
Connect the Hose

The Dolphin Hybrid Cleaner connects to the pump of your pool, either by a built-in dedicated suction line or through one of the pool skimmers.

Connect the Hose Sections in the pool under water.

- 1 Switch the pool pump OFF.
- 2 Insert the flexible Skimmer Adapter (only if needed) into the suction line opening and make sure to connect the Automatic Safety Valve. (Allows water flow into the pump in case the Cleaner is blocked by a foreign object).

- ③ If connecting to a skimmer, choose the skimmer located closest to the center of the longest pool wall.
- ④ Remove the skimmer basket and push the male end of a Hose Section into the Safety Valve, using a twisting motion.




- ⑤ If using a shallow skimmer, connect the 90° Adapter to the automatic Safety Valve before connecting the Hose Section to ensure proper suction flow (Drawing C).
- ⑥ Continue connecting additional sections until the hose is long enough to reach from its pool connection to the most distant edge of the pool, plus two extra sections.
- ⑦ Make sure to add the Float 40 cm (1.30 ft) above the Dolphin Hybrid Cleaner on the last Hose Section (Drawing F).
- ⑧ Install the optional Leaf Canister between the first and second Hose Sections under water, as well.

 **CAUTION** Air trapped in the hose can damage your pump!

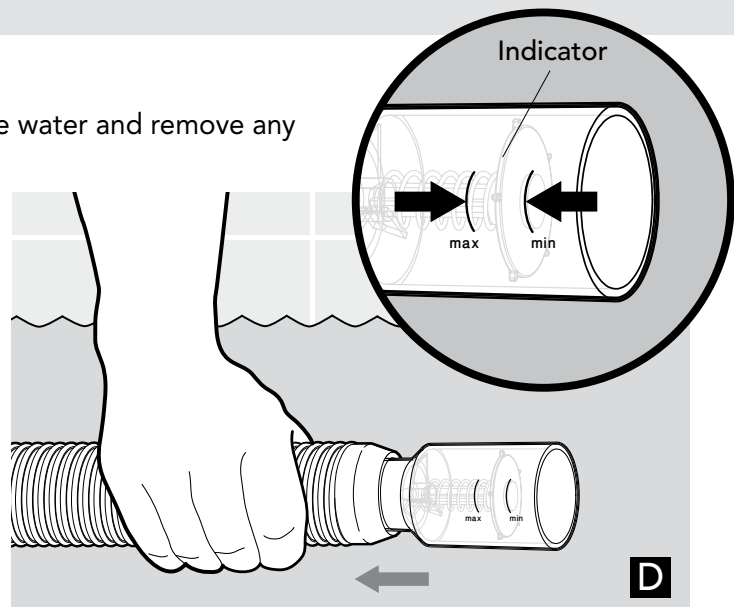
Check Flow

The Dolphin Hybrid Cleaner operates on the suction power of the pool system. Satisfactory flow is important to ensure proper cleaning and to prevent damage to the Dolphin Hybrid Cleaner.

 **NOTE:** Make sure to stop operation of the pool drain while the Dolphin Hybrid Cleaner is working.

To make sure that flow is satisfactory:

- ① Completely immerse the hose in the water and remove any trapped air.
- ② Connect the Flow Indicator to the free end of the hose, under water level.
- ③ Switch the pool pump ON.
- ④ Check the Flow Indicator (Drawing D). Make sure that the indicator is between MIN. and MAX. If the indicator is not in the satisfactory range, there may be air trapped in the hose. Wait approximately two minutes while the pump continues to operate to remove any trapped air.
- ⑤ If the indicator remains outside the satisfactory range, correct unsatisfactory flow according to the instructions in the following table. After each action, check flow with the Flow Indicator. If flow is still unsatisfactory, proceed to the next action.

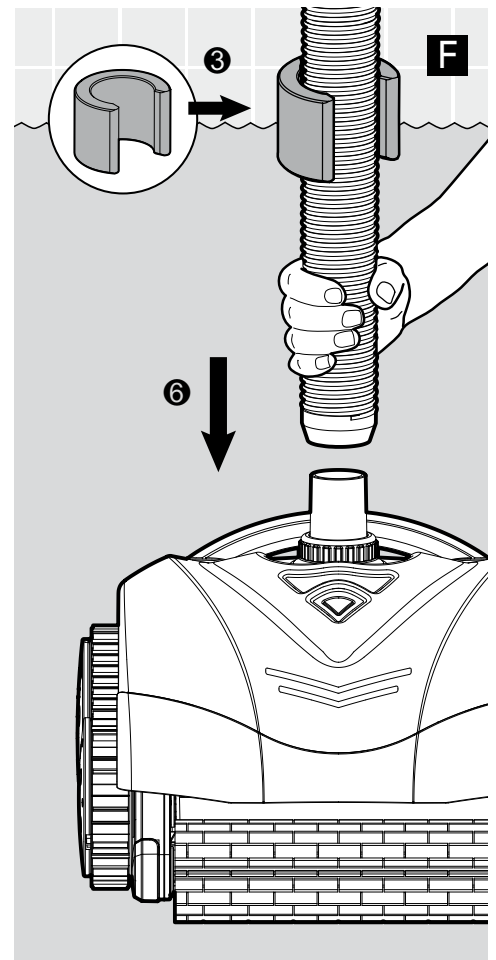
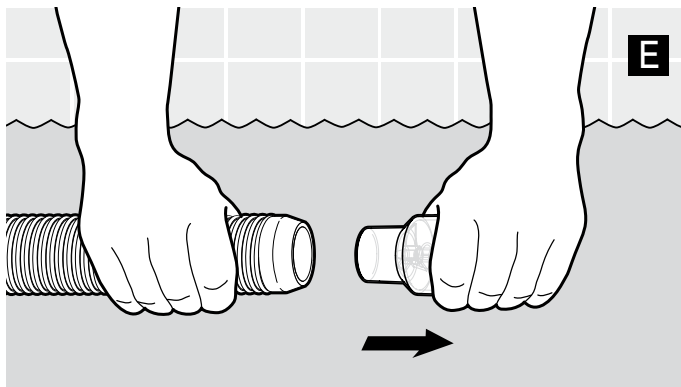




Operating above the MAX. may damage the Dolphin Hybrid Cleaner.

Table 1: Flow Indicator

Flow Indication	Action
In satisfactory range	Connect the Dolphin Hybrid Cleaner and begin the cleaning process.
Below MIN.	<p>To correct the flow do one or more of the following:</p> <ul style="list-style-type: none">• Make sure that the water level of the pool reaches the skimmer.• Check that the hose is not twisted or bent near the pool connection. If it is, use the 90° Adapter.• Close unused skimmers or main drain. Make sure that the skimmer used for the Dolphin Hybrid Cleaner is fully opened.• Remove trapped air from the hose and Dolphin Hybrid Cleaner.• Tighten connections between Hose Sections.• Backwash the main filter and clean the skimmer and pump basket.
Above MAX.	<ul style="list-style-type: none">• Open unused skimmers partially (if closed).• If the Dolphin Hybrid Cleaner is connected to a dedicated suction line, adjust its control valve on the pool pump.• If the Dolphin Hybrid Cleaner is connected to a skimmer, reduce the suction on the pool pump.



Connect the Dolphin Hybrid Cleaner

- 1 Make sure that the pool pump is switched OFF.
- 2 Disconnect the Flow Indicator (*Drawing E*).
- 3 Make sure the Float is connected on the hose 40 cm (1.30 ft) above the Dolphin Hybrid Cleaner.
- 4 Make sure that the hose is entirely under the water level and is filled with water.
- 5 Hold the Dolphin Hybrid Cleaner by the handle and put it in the water. Turn the Dolphin Hybrid Cleaner upside down to remove any trapped air.
- 6 Connect the hose end to the Dolphin Hybrid Cleaner (*Drawing F*). Make sure that the hose is firmly connected. Ensure that there is a small space between the locknut and the pipe.
- 7 Release the Dolphin Hybrid Cleaner in the pool.

Restart the pump

I Cleaning Process

The Dolphin Hybrid Cleaner continues to clean your pool as long as the pool pump is operating. The time required to cover all pool surfaces depends on the pool size. In general, 1-2 hours are sufficient.

During operation, refer to the indicator lights (*Drawing G*) on the cleaner to make sure that the Dolphin Hybrid Cleaner is functioning properly (see table below).

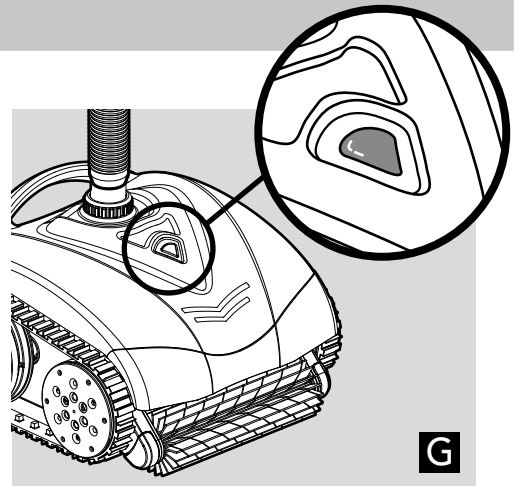
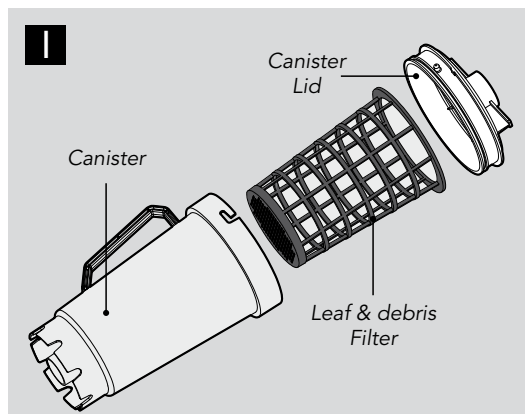


Table 2: Indicator Lights

Light	Indication
Red (2 sec.)	Start of operation
Blue — slow blinking	Proper functioning — The Dolphin Hybrid Cleaner is moving forward.
Blue — fast blinking	Proper functioning — The Dolphin Hybrid Cleaner is making a turn.
Blue and red (2 sec.)	Proper functioning — The Dolphin Hybrid Cleaner identifies a wall.
Red — blinking	<ul style="list-style-type: none"> • Insufficient flow — To correct unsatisfactory flow, refer to Table 1. • Use the Troubleshooting Guide (<i>Table 3</i>).

I Clean the Leaf Canister

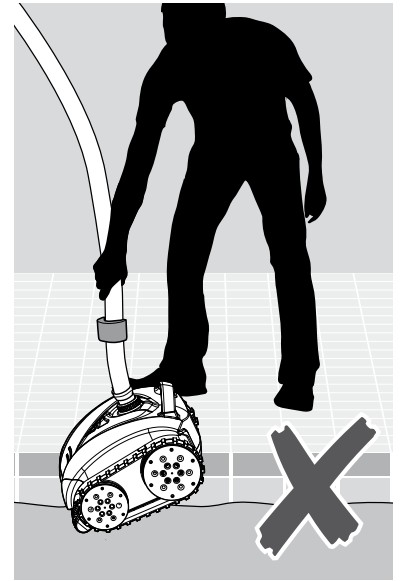
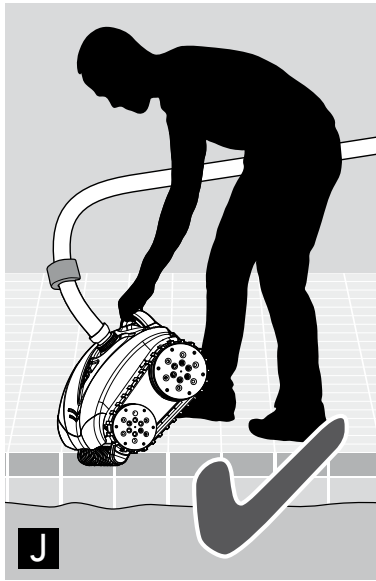
- ❶ Make sure the pump is OFF.
- ❷ Disconnect the Leaf Canister and hold the adjacent Hose Section.
- ❸ Open the lid by turning it anticlockwise
- ❹ Remove the filter.
- ❺ Clean out leaf and other debris (*Drawing H*).
- ❻ Rinse the filter.
- ❼ Return the filter and lid.
- ❽ Connect the Leaf Canister and hose sections under the water. Make sure to remove trapped air from the Leaf Canister.
- ❾ Turn the pump ON.



I Removal from the Pool and Storage

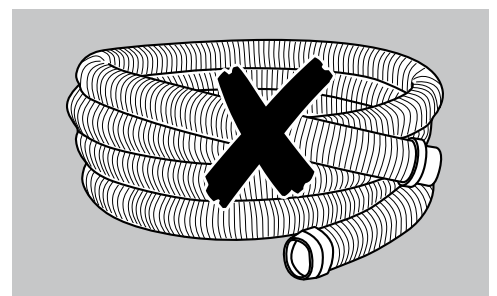
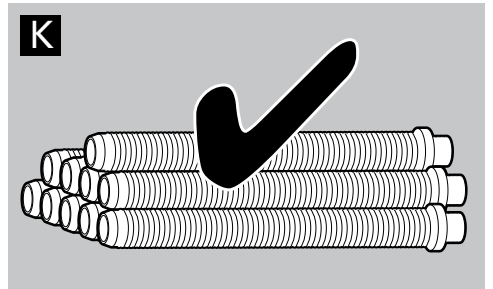
When you choose to remove the Dolphin Hybrid Cleaner from the pool:

- 1 Ensure to switch the pool pump OFF.
- 2 Disconnect the Skimmer Adapter from the suction line opening.
- 3 Disconnect the Safety Valve.
- 4 Disconnect the Hose Sections, pulling them slowly one-by-one out of the pool.
- 5 When you reach the section connected to the Dolphin Hybrid Cleaner, grasp the Dolphin Hybrid Cleaner handle and remove the Dolphin Hybrid Cleaner from the pool (Drawing J).



Remove the Dolphin Hybrid Cleaner from the pool only by its handle!

- 6 Store the Dolphin Hybrid Cleaner and Hose Sections out of direct sunlight. Do not store the Dolphin Hybrid Cleaner where it will be exposed to excessive heat or frost. Make sure that Hose Sections are in a straight position (Drawing K).
- 7 For longer life of the equipment, it is recommended to rinse the Dolphin Hybrid Cleaner and parts with tap water.
- 8 Reopen all skimmers.



I Troubleshooting

The Dolphin Hybrid Cleaner is designed to operate with a minimum of user maintenance. If a problem does occur, try to determine the cause. Often, the solution is already part of the standard operating instructions in this booklet. If you cannot solve the problem easily, contact your supplier.

The following are typical problems that might occur and possible solutions.

Table 3: Troubleshooting

Symptom	Possible Solutions
The Cleaner does not move or moves slowly (without indicator light)	<ul style="list-style-type: none"> • Correct insufficient flow. (Refer to Table 1). • Remove the service opening cover on the Cleaner bottom (Drawing L) and clean out any trapped debris (Drawing M). • If a track slipped off the wheels, return it. If this occurs frequently, purchase replacement tracks from your supplier. • Contact your supplier for repair.
The Cleaner moves on the back wheels only	<ul style="list-style-type: none"> • Connect additional Hose Sections. • Correct excessive flow. (Refer to Table 1).
The Cleaner moves on the front wheels only	<ul style="list-style-type: none"> • Make sure that the Float is in the correct position. (Refer to "Connect the Cleaner" on page 5). • Remove the Float from the last Hose Section.
The Cleaner gets stuck on the pool drain	<ul style="list-style-type: none"> • Make sure to stop operation of the pool drain while the Cleaner is working.
The hose is twisted	<ol style="list-style-type: none"> 1. Turn the pump OFF. 2. Remove the Cleaner from the pool. 3. Open the swivel and clean it (Drawing N). 4. Close the swivel properly and make sure the swivel moves freely.
The Cleaner is turning in circles	<ul style="list-style-type: none"> • The suction is below MIN. (Refer to Table 1). If does not help, contact your supplier.
Air bubbles at the exit of the water from the jets, or a noise of air suction	<ol style="list-style-type: none"> 1. Ensure that the hoses are firmly fastened. 2. Ensure that the Leaf Canister lid is firmly closed.

