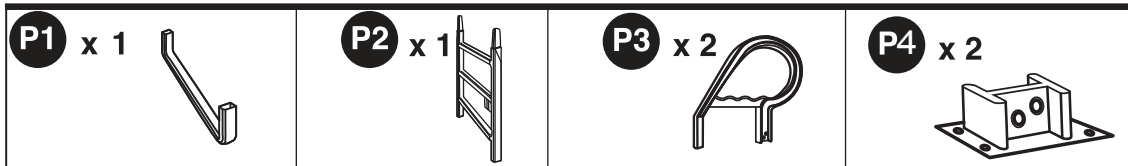
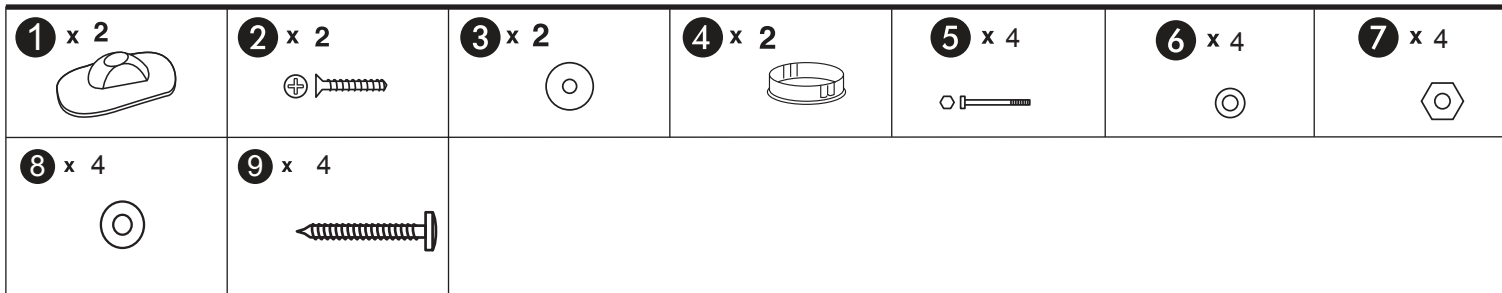


PARTS



HARDWARE



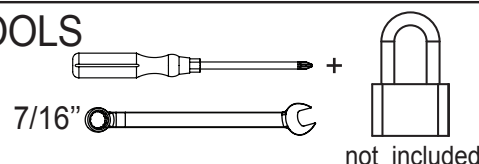
⚠ WARNING

- **NO JUMPING-NO DIVING** from ladder or platform, you can be permanently injured.
- **TO PREVENT ENTRAPMENT OR DROWNING**, keep a maximum of 4" between inner pool wall and ladder .
- **DO NOT REMOVE** or alter the ladder side barrier, entrapment or drowning might result.
- **DO NOT USE** 120V corded power tool when you assemble the ladder, serious injury might occur.
- **TO PREVENT DROWNING** watch children at all times when pool is in use.
- **CONSULT** your city for specific local regulations.
- **IMPORTANT SAFETY INSTRUCTIONS INCLUDED.** Read, follow and save these instructions.

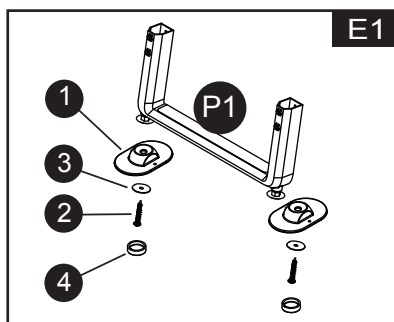
⚠ CAUTION

- This ladder must **ONLY** be used for entry and exit of pool. Any other use might damage the product or void the warranty.
- To prevent damaging the ladder in winter time, stow away in a dry location.

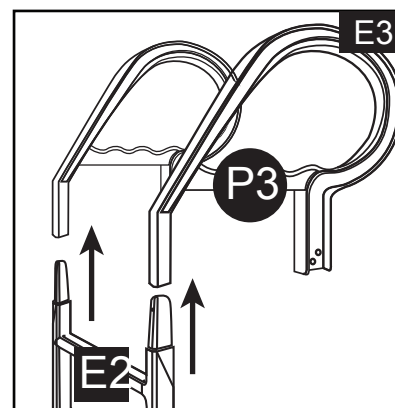
TOOLS



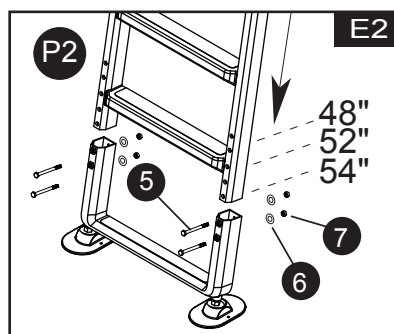
STEP 1
Attach the two feet (1) onto the "U" shaped ladder base (P1) using the stainless steel screws (2), stainless steel washers (3) and a plastic caps (4).



STEP 3
NOTE: In this step, alignment is critical. Petroleum jelly may be used if necessary to make the fit easier. Insert the assembled ladder (E2) into the handrails (P3). Make sure that the locking pins located on either side of the ladder frame (E2) have snapped into place inside the handrails.



STEP 2
Insert the ladder frame (P2) into the assembled base (E1). Adjust the height of P2 plus E1 to the height of the pool, 48", 52" or 54". Secure the ladder base (E1) to the ladder frame (P2) by inserting four bolts (5) into the four predrilled holes and fastening them with four washers (6) and four nuts (7).



STEP 4
WARNING
Insert the bases (P4) into the ends of the handrails. Determine the placement of the bases on the platform by making sure that the space between the pool's inner wall and the ladder is 4". **TO PREVENT ENTRAPMENT OR DROWNING**, keep a maximum of 4" between inner pool wall and ladder .

