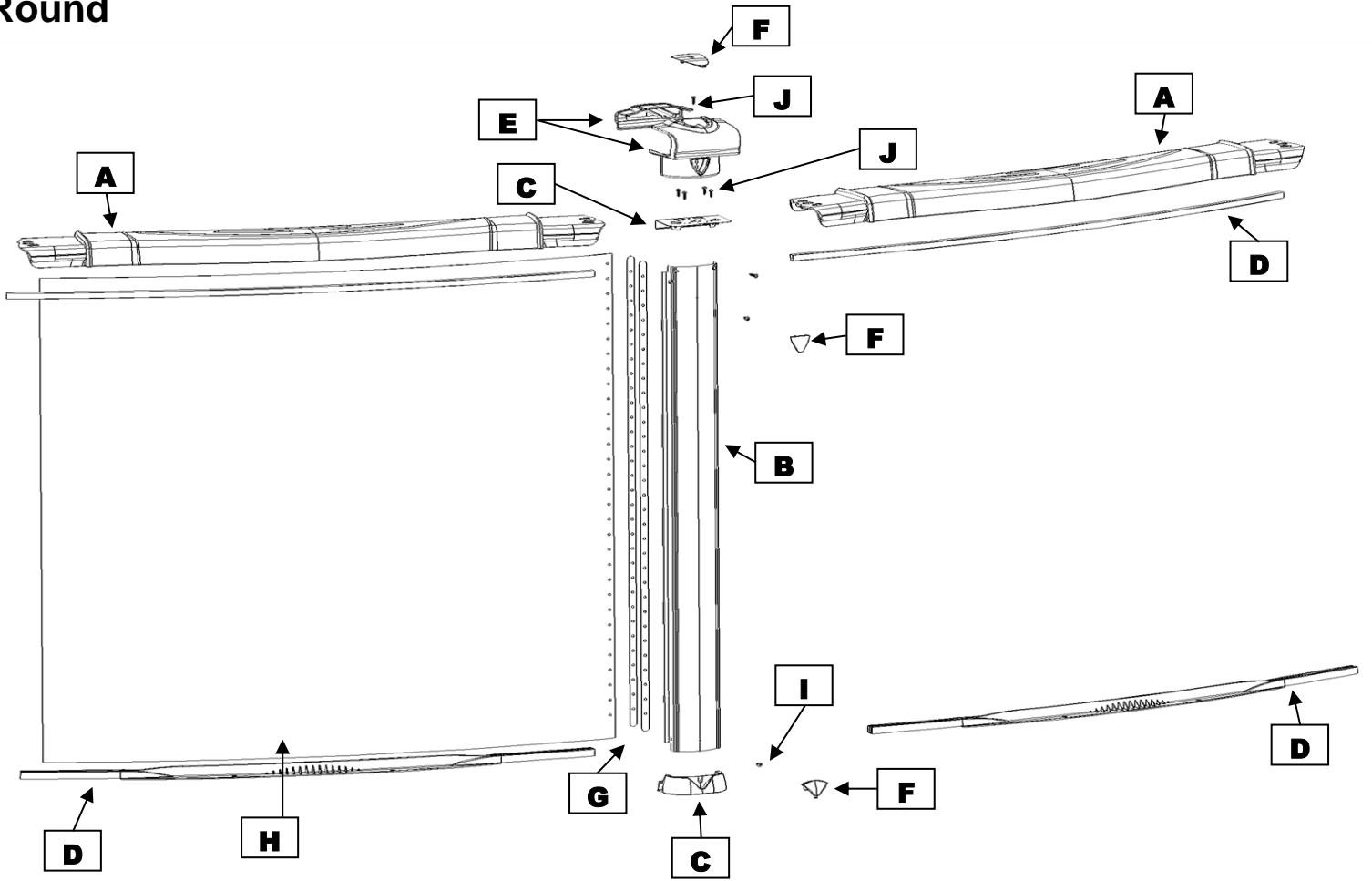


Regency RTR  
PREG-54RSRSRSF41  
Round



Product Description :

Regency Round

Revised Sept 2017

Product Code :

PREG-54RSRSRSF41

				Quantity required for installation (by pool size)							
Index #	Description	Part #	Length	12	15	18	21	24	27	30	PRICING
A	Top ledge	SD777-001-R	56"	8	10	12	14	16	18	20	\$136,97
B	Upright	MOT877-R10138M		8	10	12	14	16	18	20	\$39,82
C	Bottom plate	CB777-26300A		8	10	12	14	16	18	20	\$4,93
C	Top plate	20668A		8	10	12	14	16	18	20	\$6,27
D	Bottom rail	1525515		8	10						\$20,57
D	Bottom rail	1525524				12	14	16	18		\$20,57
D	Bottom rail	1525530								20	\$20,57
D	Stabilizer	LA1255612	55,750"	8							\$10,67
D	Stabilizer	LA1255615	55,875"		10						\$10,67
D	Stabilizer	LA1255618	55,875"			12					\$10,67
D	Stabilizer	LA1255621	55,750"				14				\$10,67
D	Stabilizer	LA1255624	56,125"					16			\$10,67
D	Stabilizer	LA1255627	55,688"						18		\$10,60
D	Stabilizer	LA1255630	56,000"							20	\$10,20
E	Ledge cover	CB777-26100AB		8	10	12	14	16	18	20	\$13,50
F	Kit 3 plug Inspiration	CAPCH777		8	10	12	14	16	18	20	\$1,28
G	Steel bar	11825	54,000"	2	2	2	2	2	2	2	\$9,36
H	Wall			1	1	1	1	1	1	1	
I	Screw 12x3/4	V12x34		33	40	49	58	66	74	86	\$0,46
J	Screw 12x1-1/4S	VHL12x114S		42	53	63	74	84	95	105	\$0,79
*	Hardware bag/pool	SACV12X34-20			2						\$9,52
*	Hardware bag/pool	SACV12X34-33		1							\$15,50
*	Hardware bag/pool	SACV12X34-49				1					\$22,87
*	Hardware bag/pool	SACV12X34-58					1				\$27,01
*	Hardware bag/pool	SACV12X34-66						1			\$30,68
*	Hardware bag/pool	SACV12X34-74							1		\$34,20
*	Hardware bag/pool	SACV12X34-86								1	\$39,89
**	Hardware bag/wall	1050000054		1	1	1	1	1	1	1	\$50,30
***	Hardware bag/pool	SACVHL12114-42		1							\$33,48
***	Hardware bag/pool	SACVHL12114-53			1						\$42,20
***	Hardware bag/pool	SACVHL12114-63				1					\$50,14
***	Hardware bag/pool	SACVHL12114-74					1				\$58,87
***	Hardware bag/pool	SACVHL12114-84						1			\$66,79
***	Hardware bag/pool	SACVHL12114-95							1		\$75,52
***	Hardware bag/pool	SACVHL12114-105								1	\$83,46
****	Bag of caps plugs	SACCAPCH777-08		1							\$8,09
****	Bag of caps plugs	SACCAPCH777-10			1						\$10,00
****	Bag of caps plugs	SACCAPCH777-12				1					\$11,89
****	Bag of caps plugs	SACCAPCH777-14					1				\$13,81
****	Bag of caps plugs	SACCAPCH777-16						1			\$15,70
****	Bag of caps plugs	SACCAPCH777-18							1		\$17,62
****	Bag of caps plugs	SACCAPCH777-20								1	\$19,51
	Plastic spacer bag	SACSP625X250-8		1							\$5,16
	Plastic spacer bag	SACSP625X250-10			1						\$6,43
	Plastic spacer bag	SACSP625X250-12				1					\$7,70
	Plastic spacer bag	SACSP625X250-14					1				\$8,97
	Plastic spacer bag	SACSP625X250-16						1			\$10,24

<b>Product Description :</b>				<b>Regency Round</b>				Revised Sept 2017			
<b>Product Code :</b>				<b>PREG-54RSRSRSF41</b>							
				Quantity required for installation (by pool size)							
<b>Index #</b>	<b>Description</b>	<b>Part #</b>	<b>Length</b>	<b>12</b>	<b>15</b>	<b>18</b>	<b>21</b>	<b>24</b>	<b>27</b>	<b>30</b>	<b>PRICING</b>
	Plastic spacer bag	SACSP625X250-18							1		\$11,51
	Plastic spacer bag	SACSP625X250-20								1	\$12,78
	Thru phill 18-8 bolts 18-8 1/4-0x3/4	99-0023		31	31	31	31	31	31	31	\$0,63
	Flange nuts S/S 1/4-20 Serrated	2FGS422		31	31	31	31	31	31	31	\$0,48
	DVD Intallation	SACWBI36876		1	1	1	1	1	1	1	\$10,31

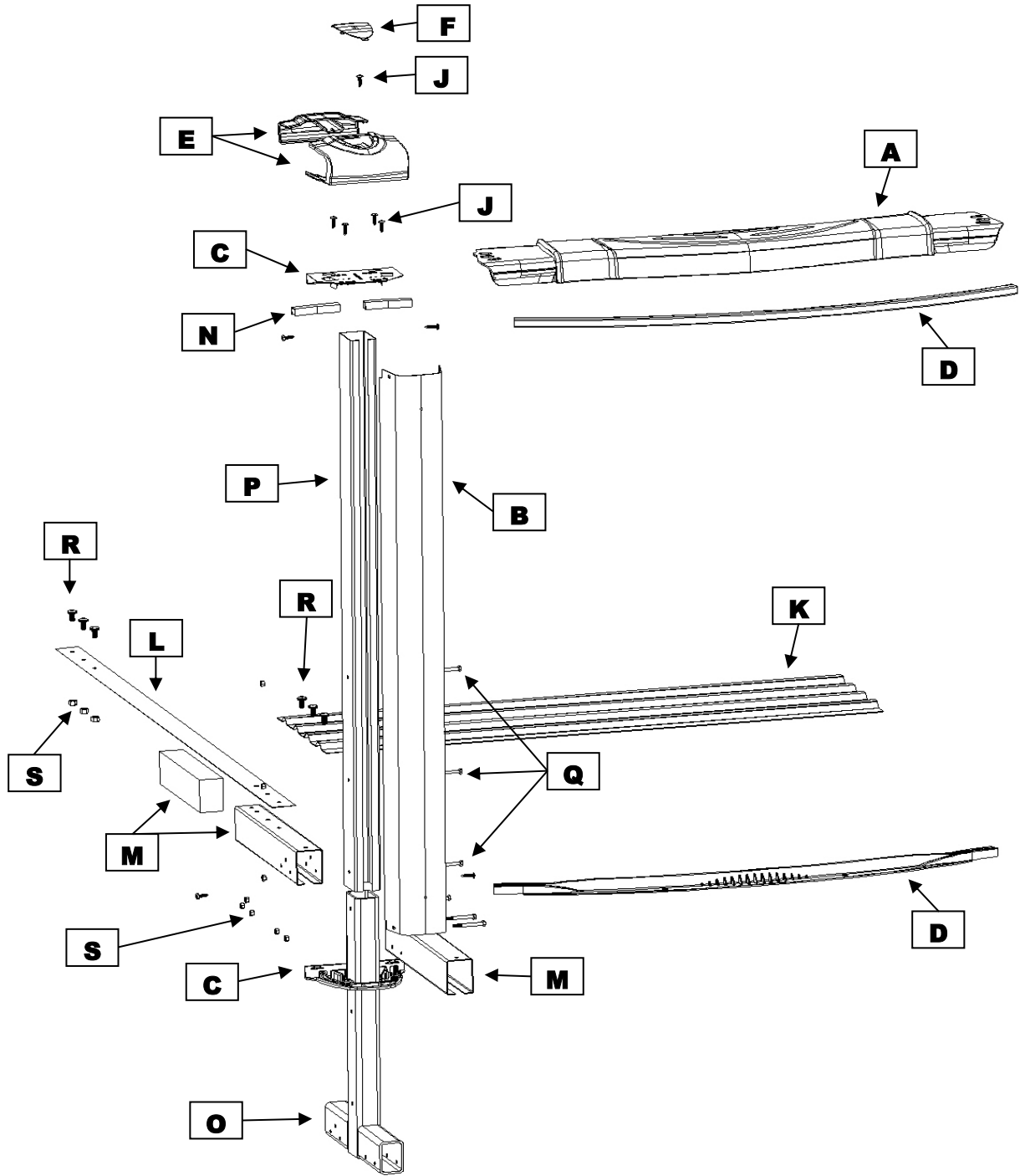
\* In the hardware bag/pool you will find parts: #V12x34

\*\* In the hardware bag/wal you will find parts: #99-0023 - #2FGS422

\*\*\* In the hardware bag/pool you will find parts: #VHL12114S

\*\*\*\* In the harwdare bag/pool you will find parts: #CAPCH777

Regency RTR  
PREG-54RSRSRF41  
Yard Extender  
Oval



Product Description :				Regency Oval				Revised Sept 2017
Product Code :				PREG-YE54RSRSRSF41				
				Quantity required for installation (by pool size)				
Index #	Description	Part #	Length	1223	1526	1530	1833	PRICING
A	Top ledge (round sections)	SD777-001-R	56"	8	10	10	12	\$136,97
A	Top ledge (straight sections)	SD777-001-45	45"	6	6	8	8	\$146,76
B	Upright (straight sections)	MOT835-R12954M	53.750"	8	8	10	10	\$37,24
B	Upright (round sections)	MOT877-R10138M	53.750"	6	8	8	10	\$39,82
C	Bottom plate (straight sections)	CG21120B		8	8	10	10	\$4,93
C	Bottom plate (round sections)	CB777-26300A		6	8	8	10	\$4,93
C	Top plate (straight sections)	21134		8	8	10	10	\$9,28
C	Top plate (round sections)	20668A		6	8	8	10	\$6,27
D	Stabilizer 38" straight section	LA1254138	38,000"	6	6	8	8	\$7,28
D	Stabilizer	LA1255412	54,250"	4				\$10,67
D	Stabilizer	LA1255415	54,320"		4	4		\$10,67
D	Stabilizer	LA1255418	54,320"				4	\$11,14
D	Stabilizer	LA1255612	55,750"	4				\$10,67
D	Stabilizer	LA1255615	55,875"		6	6		\$10,67
D	Stabilizer	LA1255618	55,875"				8	\$10,67
D	Bottom rail (straight sections)	1514215	42,000"	6	6	8	8	\$13,28
D	Bottom rail (round sections)	1525515		4	6	6	8	\$20,57
D	Bottom rail	1325315		4	4	4	4	\$15,24
E	Ledge cover (round sections)	CB777-26100AB		6	8	8	10	\$13,50
E	Ledge cover (straight sections)	CB777-26100OV		8	8	10	10	\$10,00
F	Kit 3 plug Inspiration	CAPCH777		14	16	18	20	\$1,28
G	Steel bar	11825	54,000"	2		2	2	\$9,36
H	Wall			1		1	1	
I	Screw 12x3/4	V12x34		58	66	74	80	\$0,46
J	Screw 12x1-1/4	VHL12x114S		74	84	95	105	\$0,79
K	Brace plate	20809	47,000"	6	6	8	8	\$127,12
L	Steel strap 60"	20560	59,750"	8	12	15	15	\$17,18
L	Steel strap 26"	20526	26,000"	4			10	\$8,57
M	Horizontal sleeve with pen	20810	17,000"	8	8	10	10	\$57,96
M	Extruded polystyrene piece	1000100		8	8	10	10	\$1,74
M	Horizontal sleeve without pen	20802	17,000"	8	8	10	10	\$44,68
N	Junction wall channel	12539		16	16	20	20	\$3,76
O	T unit	20801		8	8	10	10	\$287,65
P	Vertical sleeve	20509	52,875	8	8	10	10	\$99,63
Q	Bolt 1/4"-20 X 2 1/2"	B14X20X212		66	66	82	82	\$2,22
R	Bolt 3/8"-16 X 3/4"	B38X16X34		50	50	62	62	\$2,22
S	Nut 1/4"-20	N14X20		66	66	82	82	\$0,10
T	Nut 3/8" X 16	N38X16S		26	26	32	32	\$0,95
*	Hardware bag/pool	SACV12X34-58		1				\$27,01
*	Hardware bag/pool	SACV12X34-66			1			\$30,68
*	Hardware bag/pool	SACV12X34-74				1		\$34,20
*	Hardware bag/pool	SACV12X34-20					4	\$9,52
**	Hardware bag/wall	1050000054		1	1	1	1	\$50,30
***	Hardware bag/pool	SACVHL12114-74		1				\$58,87
***	Hardware bag/pool	SACVHL12114-84			1			\$66,79

**Product Description :****Regency Oval**

Revised Sept 2017

**Product Code :****PREG-YE54RSRSRSF41**

				Quantity required for installation (by pool size)				
Index #	Description	Part #	Length	1223	1526	1530	1833	PRICING
***	Hardware bag/pool	SACVHL12114-95				1		\$75,52
***	Hardware bag/pool	SACVHL12114-105					1	\$83,46
****	Wall intersectiong channel bag	SAC12539-16		1	1			\$60,58
****	Wall intersectiong channel bag	SAC12539-20				1	1	\$75,65
*****	Hardware bag/Braceless (4xT)	SACSJF-4		2	2	1	1	\$137,71
*****	Hardware bag/Braceless (6xT)	SACSJF-6				1	1	\$196,74
*****	Bag of caps plugs	SACCAPCH777-14		1				\$13,81
*****	Bag of caps plugs	SACCAPCH777-16			1			\$15,70
*****	Bag of caps plugs	SACCAPCH777-18				1		\$17,62
*****	Bag of caps plugs	SACCAPCH777-20					1	\$19,51
	Plastic spacer bag	SACSP625X250-14		1				\$8,97
	Plastic spacer bag	SACSP625X250-16			1			\$10,24
	Plastic spacer bag	SACSP625X250-18				1		\$11,51
	Plastic spacer bag	SACSP625X250-20					1	\$12,78
	Thruss phill 18-8 bolts 18-8 1/4-0x3/4	99-0023		31	31	31	31	\$0,63
	Flange nuts S/S 1/4-20 Serrated	2FGS422		31	31	31	31	\$0,48
	Instruction DVD	SACWBI36876		1	1	1	1	\$10,31

\* In the hardware bag/pool you will find parts: #V12x34

\*\* In the harwdare bag/wall you will find parts: #99-0023 - #2FGS422

\*\*\* In the harwdare bag/pool you will find parts: #VHL12114S

\*\*\*\* In the hardware bag/pool you will find parts: #12539

\*\*\*\*\* In the harwdare bag/pool you will find parts: #B14x20x212 - #B38x16x34S - #N14x20 - #N38x16S

\*\*\*\*\* In the harwdare bag/pool you will find parts: #CAPCH777